

ON-250

Power by Perkins

1506A-E88TAG3

Prime power: 200KW/250KVA

Standby power: 220KW/275KVA

GENERATING POWER SOLUTIONS

Increased availability for new operations

Reliable, robust and versatile generator.
Ready to deliver power for a next job.

Increased uptime during operations

Once installed on the end-user-site, the generator will be ready to run: "peace of mind" operation.

Reduced transport and installation costs

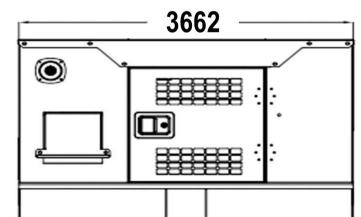
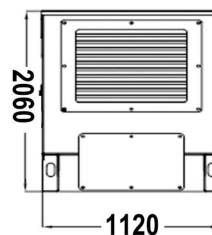
The compact and robust design with integrated transport features enables faster and safer transport and installation.

Reduced service & maintenance costs

Longer service intervals.
Quicker and more efficient service jobs.

Premium resale value

Designed and built to last.



DIMENSION			OPEN TYPE	SILENT TYPE
Length (L)	mm	2600	3662	
Width (W)	mm	1120	1120	
Height (H)	mm	1700	2060	
Dry weight	kg	2450	3000	
Fuel tank	L	430	430	

ONEWPOWER

WWW.ONEWPOWER.COM

Technical Data

Model ON-250

Rated prime power	KW	200
Rated standard power	KW	220
Rated voltage line to line	V	380~415
Maximun sound level	dB(@7m)	≤72

Engine

Model	1506A-E88TAG3	
Aspiration	Air to air after cooled,turbocharged	
Fuel system	mechanical pump	
No. cylinders	6	
Displacement	Liquid	8.8
Bore*Stroke	mm	112*149
Compression ratio	16.1:1	
Rated speed	r/min	1500
Rated net power(with fan)	Kw	220
Governor type	ECU	

Exhaust system

Exhaust gas flow	37.5 m³/min	
Exhaust gas temp	° F (° C)	<537
Max back pressure	10 kPa	

Aspiration system

Max inlet pressure	kPa	≤3.5
Combustion volume	L/s	/
Air flow	L/sec	TBA

Fuel system

100% load(Prime power)	L/h	55.5
75% load(Prime power)	L/h	41.6
50% load(Prime power)	L/h	28.9
Fuel tank capacity	L	430

Lubrication system

Oil capacity	L	41
Oil consumption	g/kwh	28.3
Oil pressure	kPa	10
(continuous operation)		

Cooling system

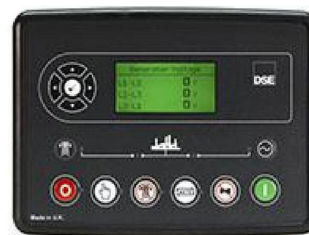
Coolant capacity	L	29.6
Thermostat operation range	°C	76-88
Max water temperature	°C	98

Alternator

Model	ON-250	
Phase	3	
Voltage	V	380~415
Bearing	1	
Power factor	0.8	
Frequency	Hz	50
Prime power	KW	200
Exciter Type	Brushless, self-excitation	
Voltage regulation	%	±1.0
Protection Grade	IP 23	
Insulation grade	H/H	
Altitude	m	≤1000

Controller

- Model
- Protective functions:
- Low oil pressure
 - High water temperature
 - High/low voltage
 - High Engine Temperature and Overspeed.
 - Voltage regulator frequency regulator
 - Emergency stop
 - Start failure



Control Module Options



- Auto generator control module
- Control module with "Three Remote Control" functions
- ATS auto load transfer screen
- Synchronising control modules
- Power output cabinet

Standard features

- Engine ●
- Radiator 50°C max, fans are driven by belt ●
- 24V charge alternator ●
- Alternator: single bearing alternator IP23, insulation class H/H ●
- Standard auto control system ●
- One set of air filter, fuel filter, oil filter ●
- Main line circuit breaker/MCCB ●
- Base fuel tank ●
- Two 24V batteries, rac and cable ●
- Exhaust system(Ripple flex exhaust pipe, exhaust siphon, flange, muffler) ●
- User manual ●

Options

- Battery charge ○
 - Engine heater ○
 - Alternator heater ○
 - PMG ○
 - Water oil separator ○
 - Daily fuel tank ○
 - Remote control panel ○
 - Automatic transfer switch/ATS ○
 - Switch box ○
- Standard: ● Options: ○

Warranty

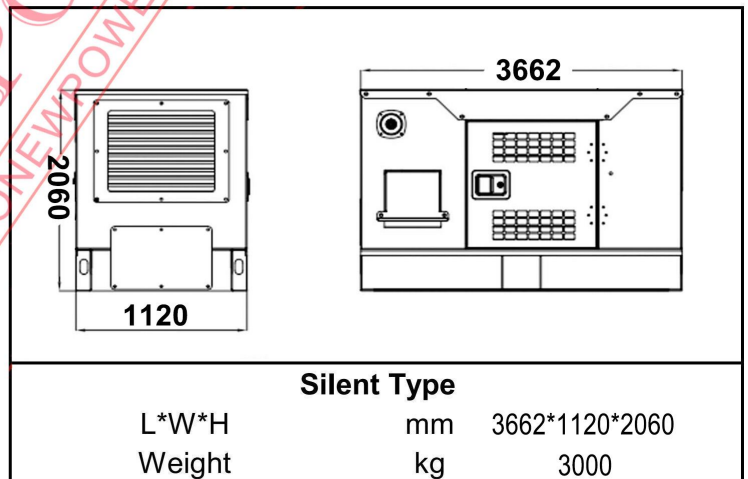
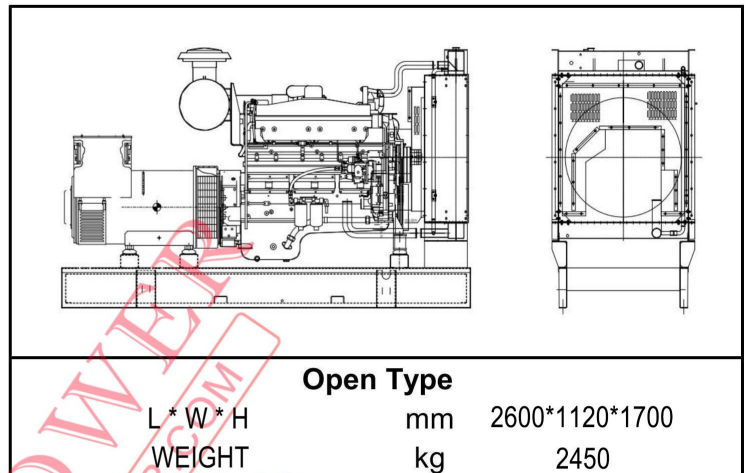
CUMMINS ENGINE

12 months from date of purchase and 1000 hours.

Generator

12 months from date of purchase or 1000 hours (whichever occurs first).

Dimensions



ONEWPOWER

ADD: NO . 1 0 7 XIYUAN ROAD , JINAN DISTRICT, FUZHOU CITY, FUJIAN, CHINA

Phone: 15980204507 E-mail: jina@onewpower.com

WWW.ONEWPOWER.COM

