

ON-800

Power by Perkins

4006-23TAG3A

Prime power: 640KW/800KVA

Standby power: 720KW/900KVA

GENERATING POWER SOLUTIONS

Increased availability for new operations

Reliable, robust and versatile generator.
Ready to deliver power for a next job.

Increased uptime during operations

Once installed on the end-user-site, the generator will be ready to run: "peace of mind" operation.

Reduced transport and installation costs

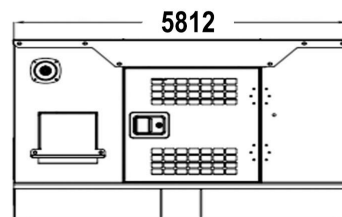
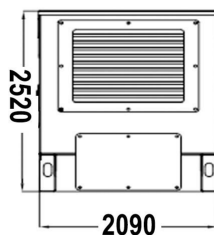
The compact and robust design with integrated transport features enables faster and safer transport and installation.

Reduced service & maintenance costs

Longer service intervals.
Quicker and more efficient service jobs.

Premium resale value

Designed and built to last.



DIMENSION			OPEN TYPE	SILENT TYPE
	Length (L)	mm	4148	5812
	Width (W)	mm	1727	2090
	Height (H)	mm	2124	2520
	Dry weight	kg	6000	9780
	Fuel tank	L	1000	1000

ONEWPOWER

WWW.ONEWPOWER.COM

Technical Data

Model ON-800

Rated prime power	KW	640
Rated standard power	KW	720
Rated voltage line to line	V	380~415
Maximun sound level	dB(@7m)	≤72

Engine

Model	4006-23TAG3A	
Aspiration	Turbocharged	
Fuel system	mechanical pump	
No. cylinders	6	
Displacement	Liquid	22.921
Bore*Stroke	mm	160*190
Compression ratio	13.6:1	
Rated speed	r/min	1500
Rated net power(with fan)	Kw	720
Governor type	Electronical	

Exhaust system

Exhaust gas flow	193 m³/min	
Exhaust gas temp	° F (° C)	<500
Max back pressure	6 kPa	

Aspiration system

Max inlet pressure	kPa	≤3.5
Combustion volume	L/s	/
Air flow	TBD	

Fuel system

100% load(Prime power)	L/h	172
75% load(Prime power)	L/h	130
50% load(Prime power)	L/h	90
Fuel tank capacity	L	1000

Lubrication system

Oil capacity	L	113.4
Oil consumption	g/kwh	28.3
Oil pressure	kPa	10
(continuous operation)		

Cooling system

Coolant capacity	L	120
Thermostat operation range	°C	76-88
Max water temperature	°C	98

Alternator

Model	ON-800	
Phase	3	
Voltage	V	380~415
Bearing	1	
Power factor	0.8	
Frequency	Hz	50
Prime power	KW	640
Exciter Type	Brushless, self-excitation	
Voltage regulation	%	±1.0
Protection Grade	IP 23	
Insulation grade	H/H	
Altitude	m	≤1000

Controller

- Model
- Protective functions:
- Low oil pressure
 - High water temperature
 - High/low voltage
 - High Engine Temperature and Overspeed.
 - Voltage regulator frequency regulator
 - Emergency stop
 - Start failure



Control Module Options



- Auto generator control module
- Control module with "Three Remote Control" functions
- ATS auto load transfer screen
- Synchronising control modules
- Power output cabinet

Standard features

- Engine ●
- Radiator 50°C max, fans are driven by belt ●
- 24V charge alternator ●
- Alternator: single bearing alternator IP23, insulation class H/H ●
- Standard auto control system ●
- One set of air filter, fuel filter, oil filter ●
- Main line circuit breaker/MCCB ●
- Base fuel tank ●
- Two 24V batteries, rac and cable ●
- Exhaust system(Ripple flex exhaust pipe, exhaust siphon, flange, muffler) ●
- User manual ●

Options

- Battery charge ○
- Engine heater ○
- Alternator heater ○
- PMG ○
- Water oil separator ○
- Daily fuel tank ○
- Remote control panel ○
- Automatic transfer switch/ATS ○
- Switch box ○
- Standard: ● Options: ○

Warranty

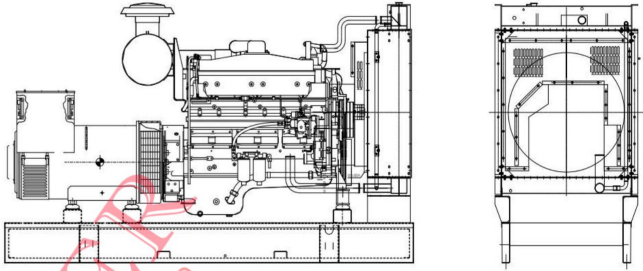
CUMMINS ENGINE

12 months from date of purchase and 1000 hours.

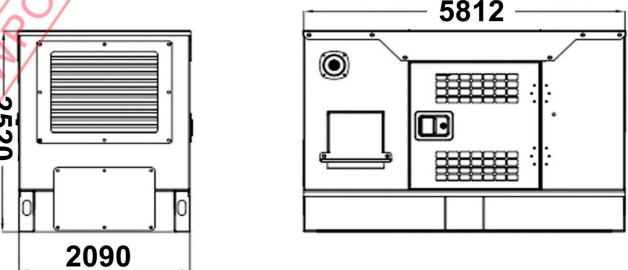
Generator

12 months from date of purchase or 1000 hours (whichever occurs first).

Dimensions



Open Type		
L*W*H	mm	4148*1727*2124
WEIGHT	kg	6000



Silent Type		
L*W*H	mm	5812*2090*2520
Weight	kg	9780

ONEWPOWER

ADD: NO . 1 0 7 XIYUAN ROAD , JINAN DISTRICT, FUZHOU CITY, FUJIAN, CHINA

Phone: 15980204507 E-mail: jina@onewpower.com

WWW.ONEWPOWER.COM

