

# ON-900

## Power by Perkins

# 4008TAG1A

Prime power: 720KW/900KVA  
Standby power: 800KW/1000KVA

## GENERATING POWER SOLUTIONS

### Increased availability for new operations

Reliable, robust and versatile generator.  
Ready to deliver power for a next job.

### Increased uptime during operations

Once installed on the end-user-site, the generator will be ready to run: "peace of mind" operation.

### Reduced transport and installation costs

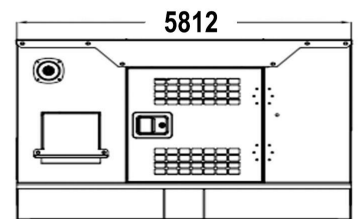
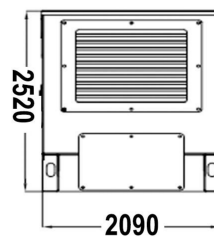
The compact and robust design with integrated transport features enables faster and safer transport and installation.

### Reduced service & maintenance costs

Longer service intervals.  
Quicker and more efficient service jobs.

### Premium resale value

Designed and built to last.



DIMENSION			OPEN TYPE	SILENT TYPE
	Length (L)	mm	4148	5812
	Width (W)	mm	1727	2090
	Height (H)	mm	2124	2520
	Dry weight	kg	6000	9780
	Fuel tank	L	1000	1000

# ONEWPOWER

[WWW.ONEWPOWER.COM](http://WWW.ONEWPOWER.COM)

## Technical Data

### Model ON-900

Rated prime power	KW	720
Rated standard power	KW	800
Rated voltage line to line	V	380~415
Maximun sound level	dB(@7m)	≤72

### Engine

Model		4008TAG1A
Aspiration		Turbocharged
Fuel system		mechanical pump
No. cylinders		8
Displacement	Liquid	30.561
Bore*Stroke	mm	160*190
Compression ratio		13.6:1
Rated speed	r/min	1500
Rated net power(with fan)	Kw	800
Governor type		Electronical

### Exhaust system

Exhaust gas flow		183 m³/min
Exhaust gas temp	° F (° C)	<425
Max back pressure		947 mm

### Aspiration system

Max inlet pressure	kPa	≤3.5
Combustion volume	L/s	/
Air flow		TBD

### Fuel system

100% load(Prime power)	L/h	187
75% load(Prime power)	L/h	140
50% load(Prime power)	L/h	95
Fuel tank capacity	L	1000

### Lubrication system

Oil capacity	L	153
Oil consumption	g/kwh	28.3
Oil pressure	kPa	10
(continuous operation)		

### Cooling system

Coolant capacity	L	143
Thermostat operation range	°C	76-88
Max water temperature	°C	98

### Alternator

Model		ON-900
Phase		3
Voltage	V	380~415
Bearing		1
Power factor		0.8
Frequency	Hz	50
Prime power	KW	720
Exciter Type		Brushless, self-excitation
Voltage regulation	%	±1.0
Protection Grade		IP 23
Insulation grade		H/H
Altitude	m	≤1000

### Controller

- Model
- Protective functions:
- Low oil pressure
  - High water temperature
  - High/low voltage
  - High Engine Temperature and Overspeed.
  - Voltage regulator frequency regulator
  - Emergency stop
  - Start failure



### Control Module Options



- Auto generator control module
- Control module with "Three Remote Control" functions
- ATS auto load transfer screen
- Synchronising control modules
- Power output cabinet

### Standard features

- Engine ●
- Radiator 50°C max, fans are driven by belt ●
- 24V charge alternator ●
- Alternator: single bearing alternator IP23, insulation class H/H ●
- Standard auto control system ●
- One set of air filter, fuel filter, oil filter ●
- Main line circuit breaker/MCCB ●
- Base fuel tank ●
- Two 24V batteries, rac and cable ●
- Exhaust system(Ripple flex exhaust pipe, exhaust siphon, flange, muffler) ●
- User manual ●

### Options

- Battery charge ○
- Engine heater ○
- Alternator heater ○
- PMG ○
- Water oil separator ○
- Daily fuel tank ○
- Remote control panel ○
- Automatic transfer switch/ATS ○
- Switch box ○
- Standard: ● Options: ○

### Warranty

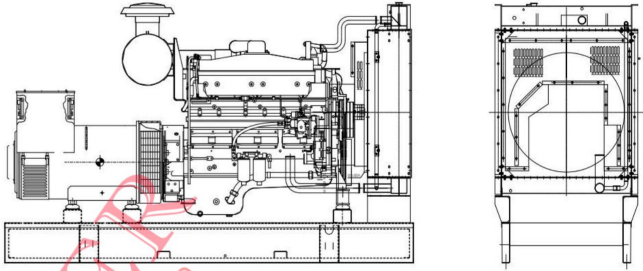
#### CUMMINS ENGINE

12 months from date of purchase and 1000 hours.

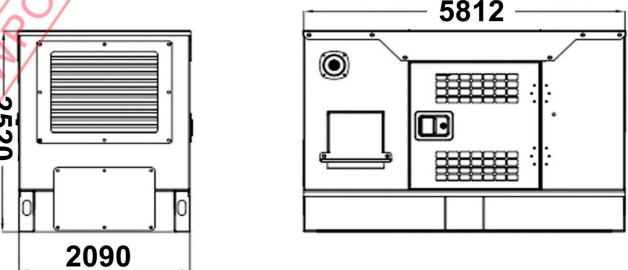
#### Generator

12 months from date of purchase or 1000 hours (whichever occurs first).

### Dimensions



Open Type		
L*W*H	mm	4148*1727*2124
WEIGHT	kg	6000



Silent Type		
L*W*H	mm	5812*2090*2520
Weight	kg	9780

## ONEWPOWER

ADD: NO . 1 0 7 XIYUAN ROAD , JINAN DISTRICT, FUZHOU CITY, FUJIAN, CHINA  
 Phone: 15980204507 E-mail: jina@onewpower.com  
 WWW.ONEWPOWER.COM

