

# ON-1500

## Power by Perkins

# 4012-46TAG2A

Prime power: 1200KW/1500KVA

Standby power: 1280KW/1600KVA

## GENERATING POWER SOLUTIONS

### Increased availability for new operations

Reliable, robust and versatile generator.  
Ready to deliver power for a next job.

### Increased uptime during operations

Once installed on the end-user-site, the generator will be ready to run: "peace of mind" operation.

### Reduced transport and installation costs

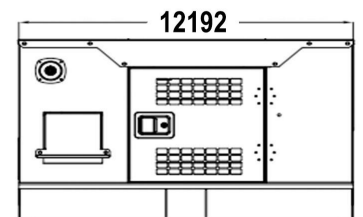
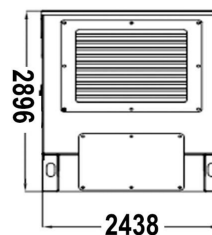
The compact and robust design with integrated transport features enables faster and safer transport and installation.

### Reduced service & maintenance costs

Longer service intervals.  
Quicker and more efficient service jobs.

### Premium resale value

Designed and built to last.



DIMENSION			OPEN TYPE	SILENT TYPE
	Length (L)	mm	5650	12192
	Width (W)	mm	2200	2438
	Height (H)	mm	2565	2896
	Dry weight	kg	10250	16200
	Fuel tank	L	TBD	2000

# ONEWPOWER

[WWW.ONEWPOWER.COM](http://WWW.ONEWPOWER.COM)

## Technical Data

### Model ON-1500

Rated prime power	KW	1200
Rated standard power	KW	1280
Rated voltage line to line	V	380~415
Maximun sound level	dB(@7m)	≤72

### Engine

Model	4012-46TAG2A	
Aspiration	Turbocharged	
Fuel system	mechanical pump	
No. cylinders	12	
Displacement	Liquid	45.842
Bore*Stroke	mm	160*190
Compression ratio	13:1 nominal	
Rated speed	r/min	1500
Rated net power(with fan)	Kw	1280
Governor type	Electronical	

### Exhaust system

Exhaust gas flow	320 m³/min	
Exhaust gas temp	° F (° C)	<455
Max back pressure	5 kPa	

### Aspiration system

Max inlet pressure	kPa	≤3.5
Combustion volume	L/s	/
Air flow	TBD	

### Fuel system

100% load(Prime power)	L/h	310
75% load(Prime power)	L/h	234
50% load(Prime power)	L/h	157
Fuel tank capacity	L	2000

### Lubrication system

Oil capacity	L	177
Oil consumption	g/kwh	28.3
Oil pressure	kPa	10
(continuous operation)		

### Cooling system

Coolant capacity	L	207
Thermostat operation range	°C	76-88
Max water temperature	°C	98

### Alternator

Model	ON-1500	
Phase	3	
Voltage	V	380~415
Bearing	1	
Power factor	0.8	
Frequency	Hz	50
Prime power	KW	1200
Exciter Type	Brushless, self-excitation	
Voltage regulation	%	±1.0
Protection Grade	IP 23	
Insulation grade	H/H	
Altitude	m	≤1000

### Controller

- Model
- Protective functions:
- Low oil pressure
  - High water temperature
  - High/low voltage
  - High Engine Temperature and Overspeed.
  - Voltage regulator frequency regulator
  - Emergency stop
  - Start failure



### Control Module Options



- Auto generator control module
- Control module with "Three Remote Control" functions
- ATS auto load transfer screen
- Synchronising control modules
- Power output cabinet

## Standard features

- Engine
- Radiator 50°C max, fans are driven by belt
- 24V charge alternator
- Alternator: single bearing alternator IP23, insulation class H/H
- Standard auto control system
- One set of air filter, fuel filter, oil filter
- Main line circuit breaker/MCCB
- Base fuel tank
- Two 24V batteries, rac and cable
- Exhaust system(Ripple flex exhaust pipe, exhaust siphon, flange, muffler)
- User manual

## Options

- Battery charge
- Engine heater
- Alternator heater
- PMG
- Water oil separator
- Daily fuel tank
- Remote control panel
- Automatic transfer switch/ATS
- Switch box
- Standard: ● Options: ○

## Warranty

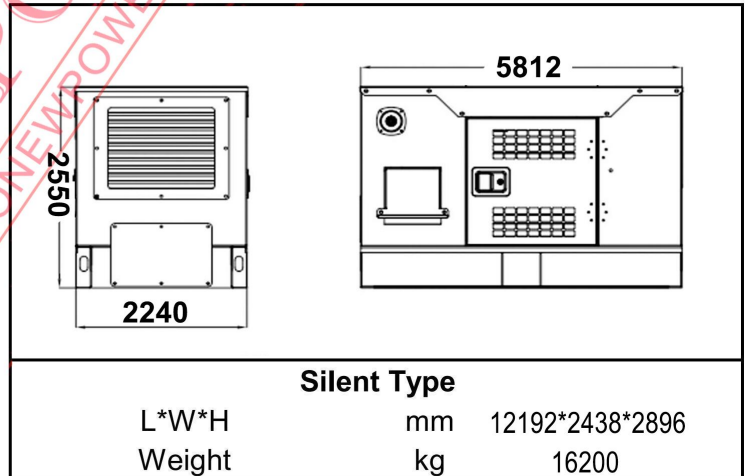
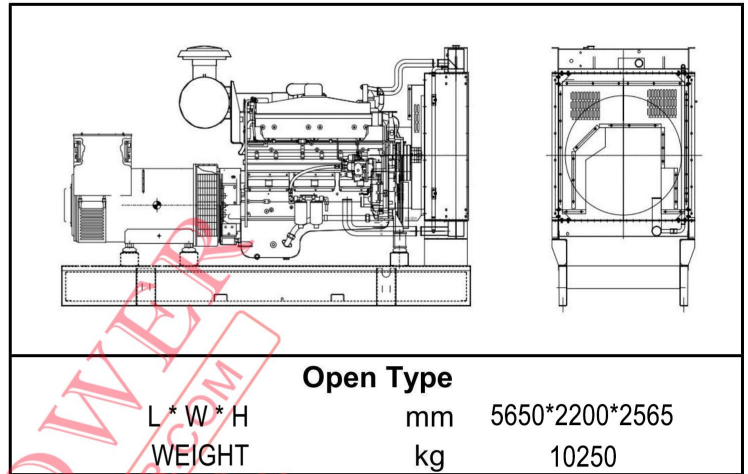
### CUMMINS ENGINE

12 months from date of purchase and 1000 hours.

### Generator

12 months from date of purchase or 1000 hours (whichever occurs first).

## Dimensions



# ONEWPOWER

ADD: NO . 1 0 7 XIYUAN ROAD , JINAN DISTRICT, FUZHOU CITY, FUJIAN, CHINA

Phone: 15980204507 E-mail: jina@onewpower.com

WWW.ONEWPOWER.COM

